


Q•LIFT



MODEL: QFLD3.0

**3.0 TON DIESEL
FOUR WHEEL FORKLIFT**

 +27 86 178 6657

 INFO@Q-LIFT.CO

 WWW.Q-LIFT.CO

MODEL:

QFLD3.0 | 3.0 TON | 4 - WHEEL | DIESEL FORKLIFT

SPECIFICATIONS:

General	1	Model			QFLD3.0	
	2	Power Type			Diesel	
	3	Rated Capacity		kg	3000	
	4	Load Centre		mm	500	
Characteristic & Dimensions	5	Lift Height		mm	3000 - 4500	
	6	Fork Size	L x W x T		mm	1070 x 125 x 45
	7	Mast Tilt Angle	F/R		Deg	6° / 12°
	8	Front Overhang (Wheel centre to fork face)		mm	480	
	9	Ground Clearance (Bottom of mast)		mm	140	
	10	Overall Dimensions	Length to face of fork (Without fork)		mm	2730
	11		Overall Width		mm	1225
	12		Mast Lowered Height		mm	2115
	13		Mast Extended Height (With backrest)		mm	4150
	14		Overhead Guard Height		mm	2090
15	Turning Radius (Outside)		mm	2440		
16	Minimum Intersecting Aisle Width		mm	2490		
Performance	17	Speed	Travel (Empty Load)		km/h	20
	18		Lifting (Full Load)		mm/s	510
	19	Max. Gradeability		%	20	
Chassis	20	Tyre	Front		mm	28 x 9 - 15 - 12 PR
	21		Rear		mm	6.50 - 10 - 10 PR
	22	Wheelbase		mm	1700	
	23	Service Weight		kg	4300	



MODEL:
QFLD3.0 | 3.0 TON | 4 - WHEEL | DIESEL FORKLIFT

SPECIFICATIONS:

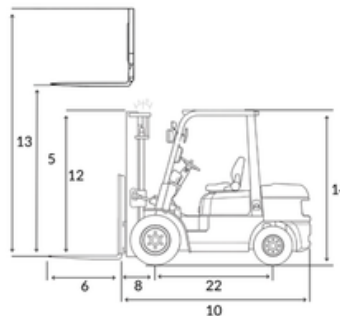
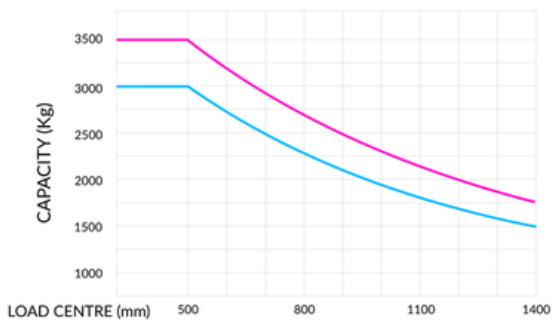
Power & Transmission	24	Battery	Voltage / Capacity	V/Ah	12 / 80
	25	Engine	Model		QFLD3.0
	26		Manufacture		XINCHAI
	27		Rated output / r.p.m	kw	35.4/2500
	28		Rated torque / r.p.m	N·m	137.7/1800
	29		No. of Cylinder		4
	30		Bore x Stroke	mm	86 x 102
	31		Displacement	cc	2369
	32		Fuel Tank Capacity	L	60
	33	Transmission	Type		Hydraulic
	34		STAGE FWD / RVS		1 / 1
	35	Operating Pressure for Attachments			Mpa

Type	Model	Lift Height (mm)	Load Capacity (kg)	Overall Height (mm)			Free Lift (mm)		Tilt Angle
				Mast Lowered	3.0T		3.0T		F/R
					With Backrest	Without Backrest	With Backrest	Without Backrest	
Full free 3 stage mast	QFLD3.0	4500	2700*2800	2135	5675	5275	990	1390	6/6

MODEL:

QFLD3.0

QFLD3.5



RASA: Right-Angle Stack Aisle
a: Safety Clearance
b: Length of Loading
v: Turning radius (inside)

