

# Q•LIFT



**MODEL: QFLE3.0**

**3.0 TON ELECTRICAL  
FOUR WHEEL FORKLIFT**

**MODEL:**

**QFLE3.0 | 3.0 TON | 4 - WHEEL | ELECTRICAL FORKLIFT**

**SPECIFICATIONS:**

General	1	Model			QFLE3.0	
	2	Power Type			Electric	
	3	Rated Capacity		kg	3000	
	4	Load Centre		mm	500	
Characteristic & Dimensions	5	Lift Height		mm	3000 - 4500	
	6	Fork Size	L x W x T		mm	1070 x 125 x 45
	7	Mast Tilt Angle	F / R		Deg	6° / 12°
	8	Front Overhang (Wheel centre to fork face)		mm	480	
	9	Tread	F/R		mm	1000/980
	10	Ground Clearance (Bottom of mast)		mm	140	
	11	Fork Spread	Min. / Max.		mm	250/1100
	12	Overall Dimension	Length to face of fork (Without fork)		mm	2610
	13		Overall Width		mm	1230
	14		Mast Lowered Height		mm	2115
	15		Mast Extended Height (With backrest)		mm	4180
	16		Overhead Guard Height		mm	2250
	17	Turning Radius (Outside)		mm	2350	
	18	Minimum Intersecting Aisle Width		mm	2425	

MODEL:

QFLE3.0 | 3.0 TON | 4 - WHEEL | ELECTRICAL FORKLIFT

SPECIFICATIONS:

Performance	19	Speed	Travel (Empty Load)	km/h	14
	20		Lifting (Full Load)	mm/s	300
	21	Max. Gradeability		%	15
Chassis	22	Tyre	Front		28 x 9 - 15 -12 PR
	23		Rear		18 x 7 - 8 - 14 PR
	24	Wheelbase		mm	1700
	25	Service Weight		kg	5100
Power & Transmission	26	Motor	Drive Motor	kw	15
	27		Lift Motor	kw	12
	28	Battery	Voltage / Capacity	V/Ah	80/500
	29	Controller	Manufacturer		Qualitools (Q-LIFT)
	30		Type		AC
	31	Operating Pressure for Attachment		Mpa	18

QFLE2.5 | 2.5 TON | ELECTRIC FORKLIFT FULL FREE 3 STAGE MAST SPECIFICATIONS:

Type	Model	Lift Height (mm)	Load Capacity (kg)	Overall Height (mm)			Free Lift (mm)		Tilt Angle
				3.0T			3.0T		F/R
				Mast Lowered	Mast Extended		Mast Extended		
					With Backrest	Without Backrest	With Backrest	Without Backrest	
Full free 3 stage mast	QFLE3.0	4500	2700*2800	2135	5675	5275	990	1390	6/6



MODEL:  
 QFLE3.0 | 3.0 TON | 4 - WHEEL | ELECTRICAL FORKLIFT

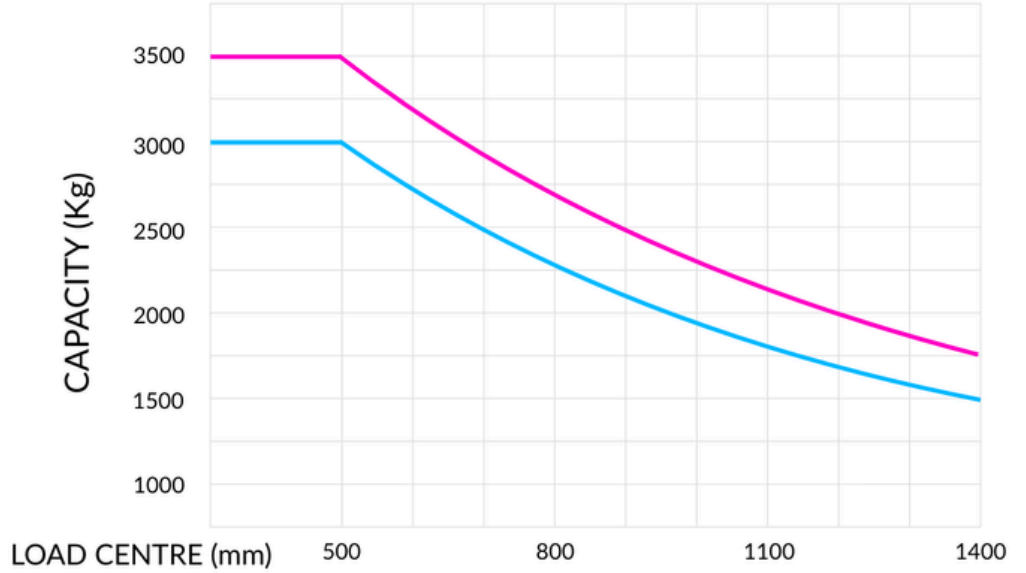
QFLE3.0 | 3.0 TON | ELECTRIC FORKLIFT LOAD CENTRE:

MODEL:

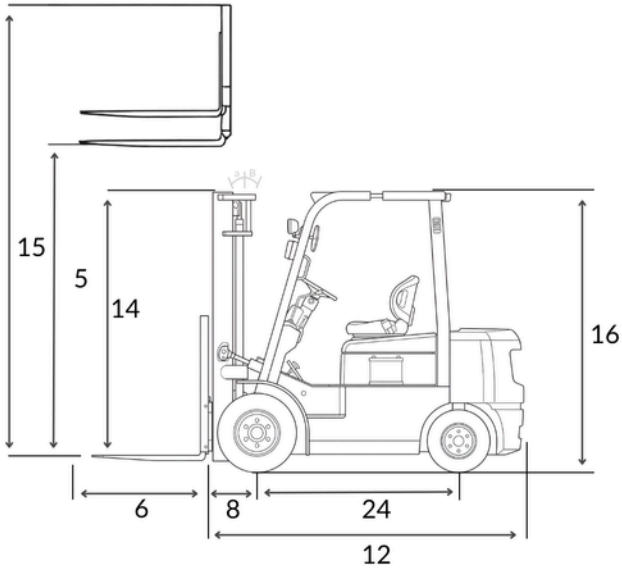
QFLE3.0



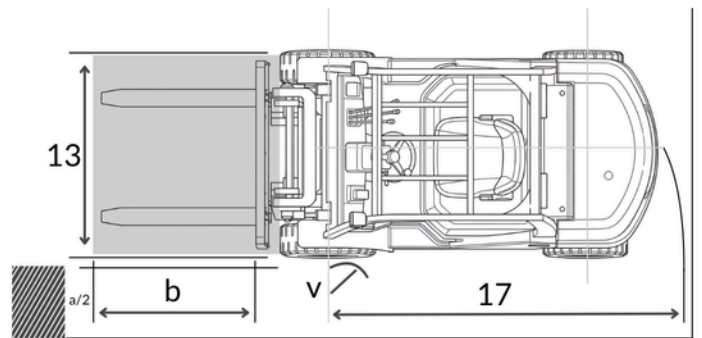
QFLE3.5



QFLE3.0 | 3.0 TON | ELECTRIC FORKLIFT RASA



RASA: Right-Angle Stack Aisle  
 a: Safety Clearance  
 b: Length of Loading  
 v: Turning radius (inside)



$$RASA = 17 + 8 + b + a$$